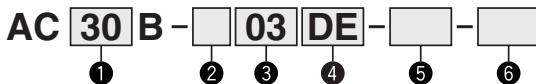


AC10B to AC60B

Symbol



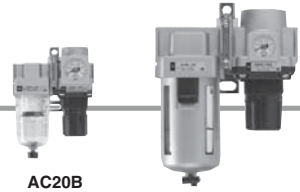
How to Order



- Option/Semi-standard: Select one each for a to j.
- Option/Attachment/Semi-standard symbol: When more than one specification is required, indicate in alphanumeric order.
Example) AC30B-F03DE1-SV-16NR

		Symbol	Description	①							
				Body size							
				10	20	25	30	40	50	55	60
②	Thread type	Nil	Metric thread (M5)	●	—	—	—	—	—	—	—
		N <small>Note 1)</small>	Rc	—	●	●	●	●	●	●	●
		F <small>Note 2)</small>	NPT	—	●	●	●	●	●	●	●
				—	●	●	●	●	●	●	
③	Port size	+		●	—	—	—	—	—	—	—
		M5	M5	—	●	—	—	—	—	—	—
		01	1/8	—	●	—	—	—	—	—	—
		02	1/4	—	●	●	●	—	—	—	—
		03	3/8	—	—	●	●	●	—	—	—
		04	1/2	—	—	—	—	●	—	—	—
		06	3/4	—	—	—	—	●	●	—	—
				—	—	—	—	—	●	●	
				—	—	—	—	—	—	●	
④	a	Float type auto drain	Nil	Without auto drain	●	●	●	●	●	●	●
			C	Float type auto drain (N.C.)	●	●	●	●	●	●	●
			D	Float type auto drain (N.O.)	—	—	●	●	●	●	●
					—	—	●	●	●	●	
	b	Pressure gauge	Nil	Without pressure gauge	●	●	●	●	●	●	●
			E	Square embedded type pressure gauge (with limit indicator)	—	●	—	—	—	—	—
			G	Round type pressure gauge (without limit indicator)	●	—	—	—	—	—	
			Round type pressure gauge (with limit indicator)	—	●	●	●	●	●		
		Digital pressure switch	E1	Output: NPN output / Electrical entry: Wiring bottom entry	—	●	●	●	●	●	●
			E2	Output: NPN output / Electrical entry: Wiring top entry	—	●	●	●	●	●	
			E3	Output: PNP output / Electrical entry: Wiring bottom entry	—	●	●	●	●	●	
			E4	Output: PNP output / Electrical entry: Wiring top entry	—	●	●	●	●	●	
⑤	c	Pressure switch	Nil	Without attachment	●	●	●	●	●	●	
			S <small>Note 4)</small>	Mounting position: AF+S+AR	—	●	●	●	●	●	
			T <small>Note 4)</small>	Mounting position: AF+T+AR	●	●	●	●	●	●	
					—	—	●	●	●		
d	3-port valve for residual pressure release	Nil	Without attachment	●	●	●	●	●	●		
		V	Mounting position: AF+AR+V	—	●	●	●	●	—		
		V1 <small>Note 5)</small>	Mounting position: V+AF+AR□K	—	●	●	●	●	—		
⑥	e	Set pressure	Nil	0.05 to 0.85 MPa setting	●	●	●	●	●	●	
			1 <small>Note 6)</small>	0.02 to 0.2 MPa setting	●	●	●	●	●	●	
	f	Bowl <small>Note 7)</small>	Nil	Polycarbonate bowl	●	●	●	●	●	●	
			2	Metal bowl	●	●	●	●	●	●	
			6	Nylon bowl	●	●	●	●	●	●	
			8	Metal bowl with level gauge	—	—	—	—	—	—	
			C	With bowl guard	—	●	—	—	—	—	
			6C	Nylon bowl with bowl guard	—	●	—	—	—	—	
	g	Filter drain port <small>Note 8)</small>	Nil	With drain cock	●	●	●	●	●	●	
			J <small>Note 9)</small>	Drain guide 1/8	—	—	—	—	—	—	
W <small>Note 10)</small>			Drain cock with barb fitting: For ø6 x ø4 nylon tube	—	—	●	●	●	●		

Air Combination Series AC10B to AC60B



AC20B

AC40B

		Symbol	Description	①								
				Body size								
				10	20	25	30	40	50	55	60	
6	h	Exhaust mechanism	Nil	Relieving type	●	●	●	●	●	●	●	
			N	Non-relieving type	●	●	●	●	●	●	●	
			+									
	i	Flow direction		Nil	Flow direction: Left to right	●	●	●	●	●	●	●
				R	Flow direction: Right to left	●	●	●	●	●	●	●
			+									
j	Pressure unit		Nil	Name plate and pressure gauge in imperial units: MPa	○	○	○	○	○	○	○	
		Z ^{Note 11)}	ZA ^{Note 12)}	Name plate, caution plate for bowl, and pressure gauge in imperial units: psi, °F Digital pressure switch: With unit conversion function	○	○	○	○	○	○	○	

Note 1) Drain guide is NPT1/8 (applicable to the AC20B) and NPT1/4 (applicable to the AC25B to AC60B). The auto drain port comes with ø3/8" one-touch fitting (applicable to the AC25B to AC60B).
 Note 2) Drain guide is G1/8 (applicable to the AC20B) and G1/4 (applicable to the AC25B to AC60B).
 Note 3) Option G, M are not assembled and supplied loose at the time of shipment.
 Note 4) The bracket position varies depending on the T-interface or pressure switch mounting.

Note 5) The regulator is equipped with a backflow function in this configuration. Additionally, for safety purposes, please check that the pressure in the outlet side is turned to the atmospheric pressure once the pressure in the outlet side is exhausted, by using a pressure gauge, etc.
 Note 6) The only difference from the standard specifications is the adjusting spring for the regulator. It does not restrict the setting of 0.2 MPa or more. When the pressure gauge is attached, a 0.2 MPa pressure gauge will be fitted.
 Note 7) Refer to Chemical Data on page 365 when selecting a case material.
 Note 8) Float type auto drain: The combination of C and D is not possible.
 Note 9) Without a valve function

Note 10) Metal bowl: The combination of 2 and 8 is not possible.
 Note 11) For thread type: M5 and NPT. This product is for overseas use only according to the new Measurement Law. (The SI unit type is provided for use in Japan.) The digital pressure switch will be equipped with the unit conversion function, setting to psi initially.
 MPa and psi are shown together on the pressure unit. The combination of the round type pressure gauge with color zone "M" and a psi display "Z" is not orderable as a standard product. However, this combination is available as a special.
 Note 12) For options: E1, E2, E3, E4. This product is for overseas use only according to the new Measurement Law. (The SI unit is provided for use in Japan.)
 Note 13) ○: For thread type: M5 and NPT only
 Note 14) △: Select with options: E1, E2, E3, E4.

Standard Specifications

Model		AC10B	AC20B	AC25B	AC30B	AC40B	AC40B-06	AC50B	AC55B	AC60B
Component	Air filter	AF10	AF20	AF30	AF30	AF40	AF40-06	AF50	AF60	AF60
	Regulator	AR10	AR20	AR25	AR30	AR40	AR40-06	AR50	AR50	AR60
Port size		M5 x 0.8	1/8, 1/4	1/4, 3/8	1/4, 3/8	1/4, 3/8, 1/2	3/4	3/4, 1	1	1
Pressure gauge port size ^{Note 1)}		1/16		1/8				1/4		
Fluid		Air								
Ambient and fluid temperature ^{Note 2)}		-5 to 60°C (with no freezing)								
Proof pressure		1.5 MPa								
Maximum operating pressure		1.0 MPa								
Set pressure range		0.05 to 0.7 MPa	0.05 to 0.85 MPa							
Relief pressure		Set pressure + 0.05 MPa ^{Note 3)} [at relief flow rate of 0.1 L/min (ANR)]								
Nominal filtration rating		5 μm								
Bowl material		Polycarbonate								
Bowl guard		—	Semi-standard	Standard						
Regulator construction		Relieving type								
Weight (kg)		0.16	0.33	0.55	0.63	1.12	1.16	2.44	2.45	2.54

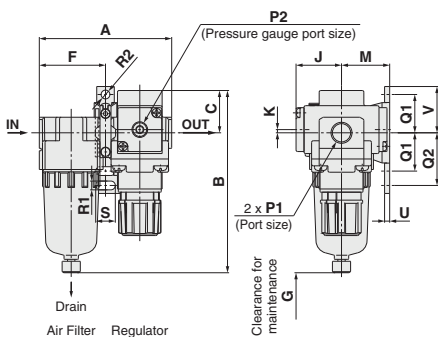
Note 1) Pressure gauge connection threads are not available for F.R.L. unit with a square embedded type pressure gauge or with a digital pressure switch (AC10B to AC60B).
 Note 2) -5 to 50°C for the products with the digital pressure switch
 Note 3) Not applicable to the AC10B.

- AC-A
- AF-A
- AF□-A
- AR-A
- AL-A
- AW-A
- AC
- AF
- AF□
- AR
- AL
- AW□
- AF□G
- E□
- AV
- AF

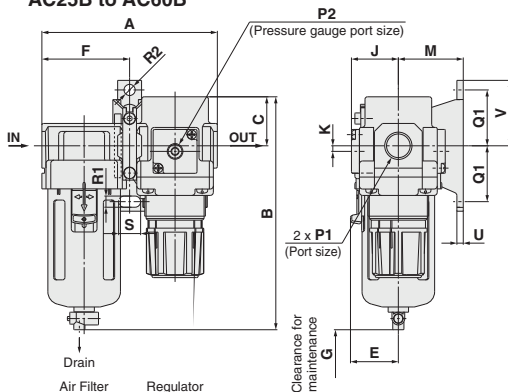
Series AC10B to AC60B

Dimensions

AC10B, AC20B



AC25B to AC60B



Applicable model	AC20B to AC60B		AC10B to AC60B	AC20B to AC60B
Option	Square embedded type pressure gauge	Digital pressure switch	Round type pressure gauge	Round type pressure gauge (with color zone)
Dimensions				

Applicable model	AC10B, AC20B		AC20B	AC25B to AC60B				
Optional/Semi-standard specifications	With auto drain (N.C.)	Metal bowl	With drain guide	With auto drain (N.O./N.C.)	Metal bowl	Metal bowl with level gauge	With drain guide	Drain cock with barb fitting
Dimensions								

Model	Standard specifications										Optional specifications							
	P1	P2	A	B	C	E	F	G	J	K	H	J	H	J	H	J		
AC10B	M5 x 0.8	1/16	56	71	11	—	28	25	12.5	0	—	—	—	—	—	—		
AC20B	1/8, 1/4	1/8	83	114	26.5	—	41.5	40	28.5	2 (Note)	□28	29.5	□27.8	40	φ37.5	65	φ37.5	65
AC25B	1/4, 3/8	1/8	110	143	28	30	55	50	27.5	0	□28	28.5	□27.8	39	φ37.5	64	φ37.5	64
AC30B	1/4, 3/8	1/8	110	146	31	30	55	50	29.5	3.5	□28	30.5	□27.8	41	φ37.5	66	φ37.5	66
AC40B	1/4, 3/8, 1/2	1/4	145	183	36	38	72.5	75	34	3.5	□28	35	□27.8	45	φ42.5	72.5	φ42.5	74
AC40B-06	3/4	1/4	155	185	36	38	77.5	75	34	3	□28	35	□27.8	45	φ42.5	72.5	φ42.5	74
AC50B	3/4, 1	1/4	186	263	43	45	93	20	43.5	3.3	□28	44.5	□27.8	55	φ42.5	82	φ42.5	84
AC55B	1	1/4	191	277	43	47.5	98	20	43.5	3.3	□28	44.5	□27.8	55	φ42.5	82	φ42.5	84
AC60B	1	1/4	196	280	46	47.5	98	20	43.5	3.3	□28	44.5	□27.8	55	φ42.5	82	φ42.5	84

Model	Standard specifications								Optional specifications		Semi-standard specifications			
	Bracket mount								With auto drain	With barb fitting	With drain guide	Metal bowl	Metal bowl with level gauge	
	M	Q1	Q2	R1	R2	S	U	V	B	B	B	B	B	
AC10B	25	20	27	4.5	φ4.5	7	2.8	24.5	89	—	—	70	—	
AC20B	30	24	33	5.5	φ5.5	12	3.2	29	132	—	118	114	—	
AC25B	41	35	—	7	φ7	14	4	41	184	151	150	156	176	
AC30B	41	35	—	7	φ7	14	4	41	187	154	153	159	179	
AC40B	50	40	—	9	φ9	18	4	48	222	191	190	196	216	
AC40B-06	50	40	—	9	φ9	18	4.6	48	224	193	192	198	218	
AC50B	70	50	—	11	φ11	20	6.4	60	303	271	270	277	297	
AC55B	70	50	—	11	φ11	20	6.4	60	316	285	284	290	310	
AC60B	70	50	—	11	φ11	20	6.4	60	319	288	287	293	313	

Note) For the AC20B only, the position of the pressure gauge is above the center of the piping.

Air Combination Series AC Options/Attachments

Options/Attachments Part No.

Section	Model	Part no.									
		For AC10 For AC10A For AC10B	For AC20 For AC20A For AC20B For AC20C For AC20D	For AC25 — For AC25B For AC25C	For AC30 For AC30A For AC30B For AC30C For AC30D	For AC40 For AC40A For AC40B For AC40C For AC40D	For AC40-06 For AC40A-06 For AC40B-06 For AC40C-06 For AC40D-06	For AC50 For AC50A For AC50B	For AC55 — For AC55B	For AC60 For AC60A For AC60B	For AC60
Option	Round type	Standard	G27-10-R1	G36-10-□01		G46-10-□02					
	Round type (with color zone)	0.02 to 0.2 MPa setting	G27-10-R1 (Note 3)	G36-2-□01		G46-2-□02					
	Square embedded type	Standard	—	G36-10-□01-L		G46-10-□02-L					
		0.02 to 0.2 MPa setting	—	G36-2-□01-L		G46-2-□02-L					
	Digital pressure switch	Standard	—	GC3-10AS [GC3P-010AS (Pressure gauge cover only)]		GC3-2AS [GC3P-010AS (Pressure gauge cover only)]					
		NPN output/Wiring bottom entry	—	ISE35-N-25-MLA [ISE35-N-25-M (Switch body only)] (Note 4)		ISE35-N-65-MLA [ISE35-N-65-M (Switch body only)] (Note 4)					
		NPN output/Wiring top entry	—	ISE35-R-25-MLA [ISE35-R-25-M (Switch body only)] (Note 4)		ISE35-R-65-MLA [ISE35-R-65-M (Switch body only)] (Note 4)					
		PNP output/Wiring bottom entry	—	ISE35-N-25-MLA [ISE35-N-25-M (Switch body only)] (Note 4)		ISE35-N-65-MLA [ISE35-N-65-M (Switch body only)] (Note 4)					
		PNP output/Wiring top entry	—	ISE35-R-25-MLA [ISE35-R-25-M (Switch body only)] (Note 4)		ISE35-R-65-MLA [ISE35-R-65-M (Switch body only)] (Note 4)					
	Float type (min 5) auto drain	N.O.	—	AD38		AD48					
	N.C.	AD17	AD37		AD47						
Spacer	Y100	Y200	Y300	Y400	Y500	Y600					
Spacer with bracket	Y100T	Y200T	Y300T	Y400T	Y500T	Y600T					
Check valve (Note 6) (Note 7)	—	AKM2000-□01 (□02)	AKM3000- (□01) □02	AKM4000- (□02) □03	—	—	—	—	—	—	
Pressure switch (Note 7)	—	IS10M-20	IS10M-30	IS10M-40	IS10M-50	IS10M-60					
T-interface (Note 6) (Note 7)	Y110-M5	Y210-□01 (□02)	Y310- (□01) □02	Y410- (□02) □03	Y510- (□02) □03	Y610-□03 (□04)	Y610- (□03) □04				
3-port valve for residual pressure release (Note 7)	—	VHS20-□01 □02	VHS30-□02 □03	VHS40-□03 □04	VHS40-□06	VHS50-□06 □10	—	—	—	—	
Piping adapter (Note 7)	E100-M5	□01 □02 □03	□02 □03 □04	□02 □03 □04 □06	E500-□06	E600-□06 □10					
Pressure switch with piping adapter (Note 7)	—	IS10E-20□02 □03	IS10E-30□03 □04	IS10E-40□03 □04 □06	—	—	—	—	—	—	
Cross spacer (Note 7)	Y14-M5	Y24-□01 □02	Y34-□01 □02	Y44-□02 □03	Y54-□03 □04	—	—	—	—	—	

Note 1 □ in part numbers for a round pressure gauge indicates a type of connection thread. No indication is necessary for R; however, indicate N for NPT. Please contact SMC regarding the connection thread NPT and pressure gauge supply for psi unit specifications.

Note 2 Including one O-ring and 2 mounting screws

Note 3 Standard pressure gauge

Note 4 Lead wire with connector (2 m), adapter, lock pin, O-ring (1 pc.), mounting screw (2 pcs.) are attached. []: Switch body only.

Also, regarding how to order the digital pressure switch, please refer to page 538.

Note 5 Minimum operating pressure: N.O. type-0.1 MPa; N.C. type-0.1 MPa (AD17/27) and 0.15 MPa (AD37/47). Please contact SMC for psi and "F" unit specifications.

Note 6 For F.R.L. units, port sizes without () are standard specifications.

Note 7 Separate interfaces are required for modular unit.

Check Valve: (K) 1/8, 1/4, 3/8



A check valve with intermediate air release port can be easily installed to prevent a backflow of lubricant when redirecting the air flow and releasing the air on the outlet side of the regulator.

AKM 30 00 - 01

① ② ③

Symbol		Description		① Body size			
				20	30	40	
② Thread type	Nil	Rc		●	●	●	
	N	NPT		●	●	●	
	F	G		●	●	●	
③ By-pass port size	+			●	●	—	
	01	1/8		●	●	—	
	02	1/4		—	—	●	
	03	3/8		—	—	●	

Specifications

Model	Effective area (mm ²)
AKM2000	28
AKM3000	55
AKM4000	111

Be sure to use above check valves when redirecting the air flow on the inlet side of the lubricator. Threads for IN and OUT ports are not machined.

Symbol

A

D

E

By-pass port size for redirecting air flow

IN **OUT**

Check valve

Model	By-pass port size	A	B	C	D	E	Applicable model
AKM2000	1/8, 1/4	40	28	11	40	11	AC20, AC20A
AKM3000	1/8, 1/4	53	34	14	48	13	AC25, AC30, AC30A
AKM4000	1/4, 3/8	70	42	18	54	15	AC40, AC40A (Note)

Note) A pressure switch cannot be mounted on the AC40□-06.
* Refer to the attachment table above for standard by-pass port sizes applicable to the AC.

- AC-A
- AF-A
- AF□-A
- AR-A
- AL-A
- AW-A
- AC
- AF
- AF□
- AR
- AL
- AW□
- A□G
- E□
- AV
- AF

Series AC

Pressure Switch: (S)

A compact integrated pressure switch can be easily installed and facilitates the pressure detection of the line.

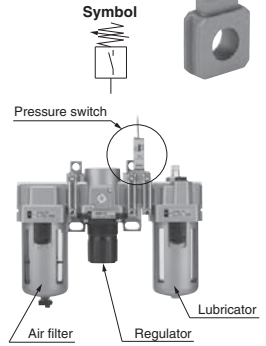
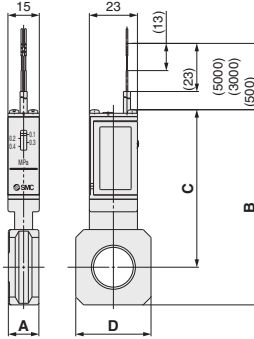
IS10M-30 - -

① ②

Semi-standard: Select one option each in **a** through **c**.
Place them in alphanumerical order.
Example) IS10M-6LP

		Symbol	Description	① Body size					
				20	30	40	50	60	
② Semi-standard	a	Set pressure range	N il <small>Note 1)</small> 0.1 to 0.4 MPa + 6 0.1 to 0.6 MPa	●	●	●	●	●	●
	b	Lead wire length	N il 0.5 m + L 3 m + Z 5 m	●	●	●	●	●	●
	c	Scale plate pressure unit	N il MPa + P <small>Note 2)</small> Both MPa and psi	●	●	●	●	●	●

Note 1) Set pressure range of 6P(L, Z) is 0.2 to 0.6 MPa (30 to 90 psi).
Note 2) This product is for overseas use only according to the new Measurement Law. (The SI unit type is provided for use in Japan.)



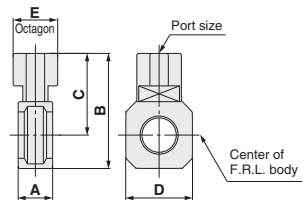
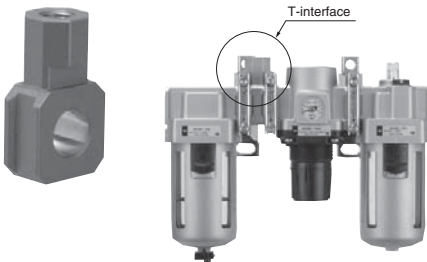
Model	A	B	C	D	Applicable model
IS10M-20	11	74	64	28	AC20□
IS10M-30	13	85	71	30	AC25□, AC30□
IS10M-40	15	93	75	36	AC40□
IS10M-50	17	97	77	44	AC40□-06
IS10M-60	22	91	67	53	AC50□, AC55□, AC60□

Note) Prepare a spacer separately for modular connection.

For details, refer to Series IS10 in Best Pneumatics No.6.

T-interface: (T) M5 x 0.8, 1/8, 1/4, 3/8, 1/2

Using a T-interface facilitates the redirection of air flow.



Model	Port size	A	B	C	D	E	Applicable model
Y110-M5	M5 x 0.8	11	19	12	14	8	AC10, AC10B
Y210-□01	1/8	15	42	32	28	19	AC20, AC20B, AC20C
Y210-□02	1/4						
Y310-□01	1/8	15	53	39	30	19	AC25, AC25B, AC25C, AC30, AC30B, AC30C
Y310-□02	1/4						
Y410-□02	1/4	19	62	44	36	24	AC40, AC40B, AC40C
Y410-□03	3/8						
Y510-□02	1/4	19	66	46	44	24	AC40-06, AC40B-06, AC40C-06
Y510-□03	3/8						
Y610-□03	3/8	22	81	57	53	30	AC50, AC55, AC60, AC50B, AC55B, AC60B
Y610-□04	1/2						

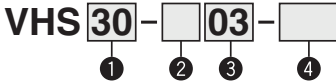
Note 1) □ in model numbers indicates a thread type. No indication is necessary for Rc; however, indicate N for NPT, and F for G.

Note 2) Separate interfaces are required for modular unit.

* Refer to the attachment table on page 471 for standard port sizes when using with the AC.

Pressure Relief 3 Port Valve: (V)

With the use of a 3-port valve for residual pressure release, pressure left in the line can be easily exhausted.



- Semi-standard: Select one each for a to b.
- Semi-standard symbol: When more than one specification is required, indicate in alphabetic order. Example) VHS30-03-RZ

	Symbol	Description	① Body size				
			20	30	40	50	
② Thread type	N (Note)	Rc	●	●	●	●	
	N (Note)	NPT	●	●	●	●	
	F (Note)	G	●	●	●	●	
③ Port size	+	1/8	●	—	—	—	
	01	1/4	●	●	—	—	
	03	3/8	—	●	●	—	
	04	1/2	—	—	●	●	
	10	3/4	—	—	—	●	
④ Semi-standard	a Flow direction	N (Note)	Flow direction: Left to right	●	●	●	●
	R	Flow direction: Right to left	●	●	●	●	
b Pressure unit	N (Note)	Name plate in imperial units: MPa	●	●	●	●	
	Z (Note)	Name plate in imperial units: psi	●	●	●	●	

(Note) For thread type: NPT only. This product is for overseas use only according to the new Measurement Law. (The SI unit type is provided for use in Japan.)

Specifications

Model	Port size			Effective area (mm ²) (): Cv factor	
	IN, OUT	EXH	IN→OUT	OUT→EXH	
VHS20	1/8	1/8	10 (0.54)	11 (0.60)	
	1/4	1/8	14 (0.76)	16 (0.87)	
VHS30	1/4	1/4	16 (0.87)	14 (0.76)	
	3/8	1/4	31 (1.68)	29 (1.57)	
VHS40	1/4	1/4	27 (1.46)	36 (1.75)	
	3/8	3/8	38 (2.06)	40 (2.08)	
	1/2	1/2	55 (2.98)	42 (2.12)	
VHS40-06	3/4	1/2	77 (4.17)	49 (2.12)	
	3/4	1/2	82 (4.44)	50 (2.85)	
VHS50	1	1/2	125 (6.78)	53 (2.93)	

(Note) Use an air filter on the IN side for operating protection.

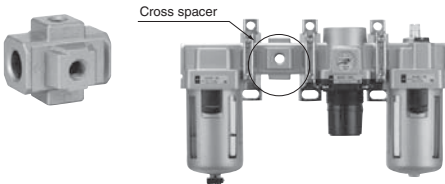
Caution on Mounting

- If a tube, stop valve or silencer is connected to the exhaust port of the VHS20/30, the effective sectional area should be larger than the figure indicated in the following table, to prevent malfunction caused by back pressure. (This is not applicable to the VHS40/50.)

Model	Effective area (mm ²)
VHS20	5
VHS30	5

Cross Spacer: M5 x 0.8, 1/8, 1/4, 3/8, 1/2

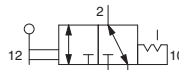
Pipings are possible in all 4 directions. IN/OUT ports are not machined for threads. Please contact SMC if threaded (machined) ports are required.



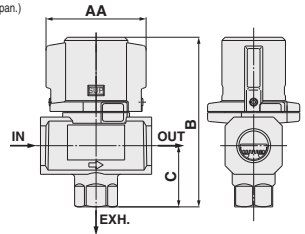
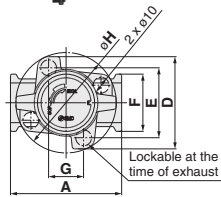
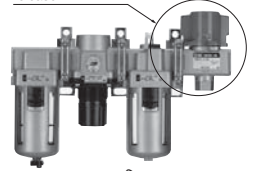
Caution on Mounting

- When mounting a cross interface directly on the IN side of the lubricator, be sure to use the AKM series check valve between the lubricator and cross interface.
- Factory mounting of a cross interface on the AC model is available as a special order.

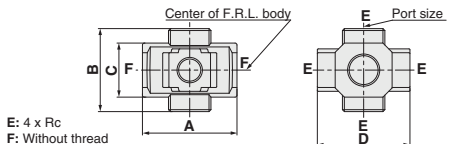
Symbol



3-port valve for residual pressure release



Model	A	AA	B	C	D	E	F	G	H
VHS20	40	34	59	20	45	33	28	—	45
VHS30	53	46	78	29	55	42	30	—	55
VHS40	70	63	107	39	58	44	36	22	63
VHS40-06	75	67	110	42	65	50	44	21	69
VHS50	90	78	134	53	76	61	53	26	81



E: 4 x Rc

F: Without thread

Model	Port size	A	B	C	D	Applicable model
Y14-M5	M5	23	16	14	25	AC10□
Y24-□01	1/8	40	40	22	40	AC20□
Y24-□02	1/4	40	40	22	40	AC20□
Y34-□01	1/8	49	43	28	48	AC25□, AC30□
Y34-□02	1/4	49	43	28	48	AC25□, AC30□
Y44-□02	1/4	60	48	36	54	AC40□
Y44-□03	3/8	60	48	36	54	AC40□
Y54-□03	3/8	72	62	40	62	AC40□-06
Y54-□04	1/2	72	62	40	62	AC40□-06

Note 1) □ in model numbers indicates a thread type. No indication is necessary for Rc; however, indicate N for NPT, and F for G.

Note 2) If threaded IN/OUT ports are required, they are available as a special order. Please contact SMC.

Note 3) Two hexagon socket head plugs are included in the package.

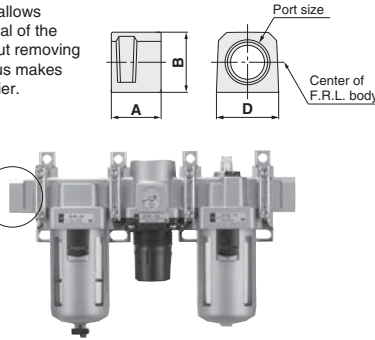
Series AC

Piping Adapter: M5 x 0.8, 1/8, 1/4, 3/8, 1/2, 3/4, 1

A piping adapter allows installation/removal of the component without removing the piping and thus makes maintenance easier.



Piping adapter



Model (Note 1)	Port size	A	B	D	Applicable model
E100-M5	M5 x 0.8	10	14	14	AC10□, AW10, AF10, AR10, AL10
E200-□01	1/8				AC20□
E200-□02	1/4	30	23.5	28	AF20, AR20□, AW20□
E200-□03	3/8				AL20, AFM20, AFD20, AWM20, AWD20
E300-□02	1/4				AC25□, AC30□
E300-□03	3/8	32	30	30	AF30, AR30□, AW30□
E300-□04	1/2				AL30, AFM30, AFD30, AWM30, AWD30
E400-□02	1/4				AC40□
E400-□03	3/8	32	36	36	AF40, AR40□, AW40□
E400-□04	1/2				AL40, AFM40, AFD40
E400-□06	3/4				AWM40, AWD40
E500-□06	3/4	32	40	44	AC40□-06, AF40-06, AR40□-06, AW40□-06, AL40-06, AFM40-06, AFD40-06
E600-□06	3/4	35	48	53	AC50, AC55, AC60, AC50A
E600-□10	1				
					AC60B, AF50, AF60, AR50□
					AR60□, AL50, AL60, AW60□

Note 1) □ in model numbers indicates a thread type. No indication is necessary for Rc; however, indicate N for NPT, and F for G.

Note 2) Separate interfaces are required for modular unit.

* Factory mounting of a piping adapter on the AC models is available as a special order.

Pressure Switch with Piping Adapter

IS10E - **30** - **03** - **□**

1 2 3 4

Semi-standard: Select one option each in a through d. Place them in alphabetical order. Example) IS10E-30N03-6PRZ

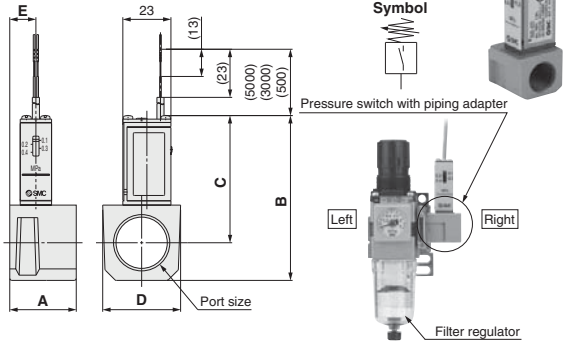
	Symbol	Description	① Body size			
			20	30	40	
② Thread type	Nil	Rc	●	●	●	
	N	NPT	●	●	●	
	F	G	●	●	●	
③ Port size	+		●	●	●	
	01	1/8	●	—	—	
	02	1/4	●	●	●	
	03	3/8	●	●	●	
	04	1/2	—	●	●	
	06	3/4	—	—	●	
④ Semi-standard	a Set pressure range	Nil	0.1 to 0.4 MPa	●	●	●
		6 (Note 1)	0.1 to 0.6 MPa	●	●	●
		+		●	●	●
	b Lead wire length	Nil	0.5 m	●	●	●
		L	3 m	●	●	●
		Z	5 m	●	●	●
	c Scale plate pressure unit	Nil	MPa	●	●	●
		P (Note 2)	Both MPa and psi	●	●	●
	d Mounting position	Nil	Right	●	●	●
		R	Left	●	●	●

Note 1) Set pressure range of 6P(L, R, Z) is 0.2 to 0.6 MPa (30 to 90 psi).

Note 2) For thread type: NPT only.

This product is for overseas use only according to the new Measurement Law. (The SI unit type is provided for use in Japan).

For details, refer to Series IS10 in Best Pneumatics No.6.



Model (Note 1)	Port size	A	B	C	D	E	Applicable model
IS10E-20□01	1/8						AC20□
IS10E-20□02	1/4	30	66	55	28	16	AR20□, AW20□
IS10E-20□03	3/8						AWM20
IS10E-30□02	1/4						AC25□, AC30□
IS10E-30□03	3/8	32	73	59	30	13	AR25□, AR30□, AW30□
IS10E-30□04	1/2						AWM30, AWD30
IS10E-40□02	1/4						Note 2)
IS10E-40□03	3/8	32	79	61	37	13	AC40□
IS10E-40□04	1/2						AR40□, AW40□
IS10E-40□06	3/4						AWM40, AWD40

Note 1) □ in the model numbers indicates a thread type. No indication is necessary for Rc; however, indicate N for NPT, and F for G.

Note 2) Cannot be mounted to the AC40□-06 and AW40□-06.

Note 3) Prepare a spacer separately for modular connection.

* The pressure switch can be mounted on the AC40□-06 and above and the AW40□-06 by screwing the IS10-01S into the piping adapter E500-□06-X051 or E600-□06-X051 to E600-□10-X051 (Rc1/8 threaded on top surface). Products with a premounted switch are available as a special order. Please contact SMC beforehand.

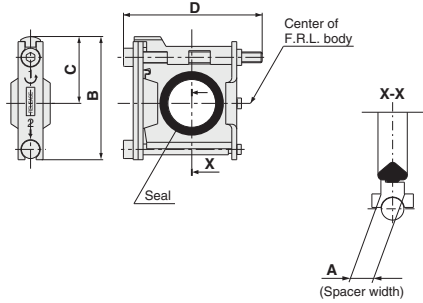
Series AC Spacers/Brackets Accessories

Spacer



Y200

Y400



Model	A	B	C	D	Applicable model
Y100	6	27	15	33	AC10, AC10A, AC10B
Y200	3	35.5	18.5	48	AC20□
Y300	4	47	26	59	AC25□, AC30□
Y400	5	57	31	65	AC40□
Y500	5	61	33	75	AC40□-06
Y600	6	75.5	41	86	AC50, AC55, AC60 AC50A, AC60A AC50B, AC55B, AC60B

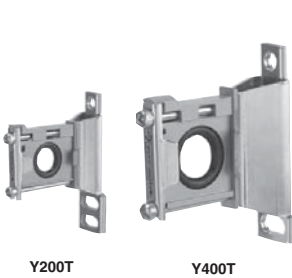
Replacement Parts

Description	Material	Part no.					
		Y100	Y200	Y300	Y400	Y500	Y600
Seal	HNBR (Note 2)	Y100P-060AS (Note 1)	Y200P-061S	Y300P-060S	Y400P-060S	Y500P-060S	Y600P-060S

Note 1) Assembly of 2 O-rings

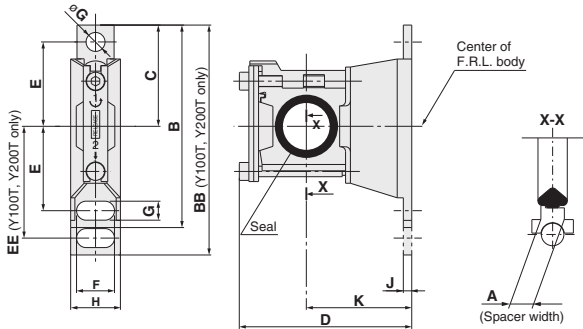
Note 2) NBR is used for Y100 spacer because of no direct contact with fluid.

Spacer with Bracket



Y200T

Y400T



Model	A	B	BB	C	D	E	EE	F	G	øG	H	J	K	Applicable model
Y100T	6	—	56	24.5	40.5	20	27	6.8	4.5	4.5	14	2.8	25	AC10□
Y200T	3	—	67	29	53	24	33	12	5.5	5.5	19	3.2	30	AC20□
Y300T	4	82	—	41	68	35	—	14	7	7	21	4	41	AC25□, AC30□
Y400T	5	96	—	48	81.5	40	—	18	9	9	26	4	50	AC40□
Y500T	5	96	—	48	86	40	—	18	9	9	27	4.6	50	AC40□-06
Y600T	6	120	—	60	112	50	—	20	11	11	31	6.4	70	AC50, AC55, AC60, AC50A, AC60A, AC50B, AC55B, AC60B

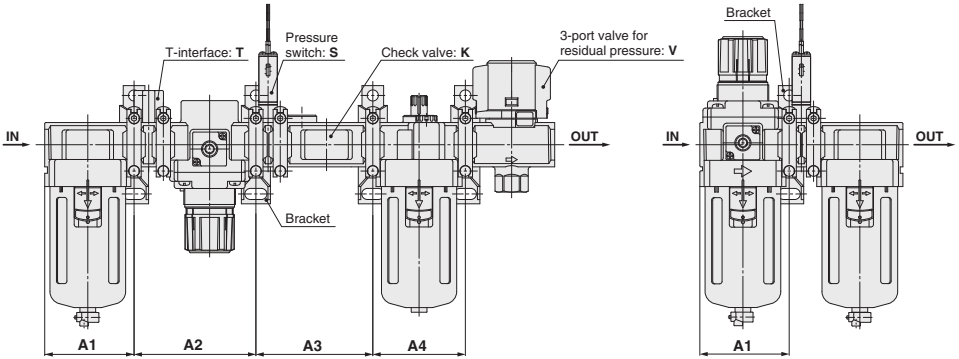
Replacement Parts

Description	Material	Part no.					
		Y100T	Y200T	Y300T	Y400T	Y500T	Y600T
Seal	HNBR (Note 2)	Y100P-060AS (Note 1)	Y200P-061S	Y300P-060S	Y400P-060S	Y500P-060S	Y600P-060S

Note 1) Assembly of 2 O-rings

Note 2) NBR is used for Y100T spacer because of no direct contact with fluid.

Mounting Position for Spacer with Bracket



Attachment Model	K			S			T			V			KS			KT			KV				KST			
	A1	A2	A3	A1	A2	A3	A1	A2	A3	A1	A2	A3	A1	A2	A3	A1	A2	A3	A1	A2	A3	A4	A1	A2	A3	
AC10	41.5	43	43	41.5	43	41.5	61	41.5	43	43	43	41.5	43	43	57	41.5	61	43	41.5	43	43	43	43	41.5	61	57
AC20	55	57	57	55	57	55	76	55	57	57	57	55	57	57	74	55	76	57	55	57	57	57	57	55	76	74
AC25	55	57	57	55	57	55	76	55	57	57	57	55	57	57	74	55	76	57	55	57	57	57	57	55	76	74
AC30	55	57	57	55	57	55	76	55	57	57	57	55	57	57	74	55	76	57	55	57	57	57	57	55	76	74
AC40	72.5	75	75	72.5	75	72.5	99	72.5	99	72.5	75	75	72.5	75	95	72.5	99	75	72.5	99	75	75	75	72.5	99	95
AC40-06	—	—	—	77.5	80	77.5	104	77.5	80	80	80	—	—	—	—	—	—	—	—	—	—	—	—	—	—	
AC50	—	—	—	93	96	93	124	93	96	96	96	—	—	—	—	—	—	—	—	—	—	—	—	—	—	
AC55	—	—	—	98	96	98	124	—	—	—	—	—	—	—	—	—	—	—	—	—	—	—	—	—	—	
AC60	—	—	—	98	101	98	129	—	—	—	—	—	—	—	—	—	—	—	—	—	—	—	—	—	—	

Attachment Model	KSV				KTV				KSTV				ST		SV			STV			TV					
	A1	A2	A3	A4	A1	A2	A3	A4	A1	A2	A3	A4	A1	A2	A1	A2	A3	A1	A2	A3	A1	A2	A3	A1	A2	A3
AC10	41.5	43	43	41.5	61	43	43	41.5	61	57	43	41.5	61	41.5	43	57	41.5	61	57	41.5	61	57	41.5	61	43	43
AC20	55	57	74	57	55	76	57	57	55	76	74	57	55	76	55	57	74	55	76	74	55	76	74	55	76	57
AC25	55	57	74	57	55	76	57	57	55	76	74	57	55	76	55	57	74	55	76	74	55	76	74	55	76	57
AC30	55	57	74	57	55	76	57	57	55	76	74	57	55	76	55	57	74	55	76	74	55	76	74	55	76	57
AC40	72.5	75	95	75	72.5	99	75	75	72.5	99	95	75	72.5	99	72.5	99	72.5	75	95	72.5	99	95	72.5	99	75	75
AC40-06	—	—	—	—	—	—	—	—	—	—	—	—	77.5	104	77.5	104	77.5	80	102	77.5	104	102	77.5	104	80	80
AC50	—	—	—	—	—	—	—	—	—	—	—	—	93	124	93	96	124	93	124	93	124	124	93	124	96	
AC55	—	—	—	—	—	—	—	—	—	—	—	—	98	124	—	—	—	—	—	—	—	—	—	—	—	
AC60	—	—	—	—	—	—	—	—	—	—	—	—	98	129	—	—	—	—	—	—	—	—	—	—	—	

Attachment Model	K		S		V		KS		KV			KSV			SV	
	A1	A2	A1	A2	A1	A2	A1	A2	A1	A2	A3	A1	A2	A3	A1	A2
AC20A	41.5	43	41.5	43	41.5	43	41.5	57	41.5	43	43	41.5	57	43	41.5	57
AC30A	55	57	55	55	55	57	55	74	55	57	57	55	74	57	55	74
AC40A	72.5	75	72.5	72.5	75	72.5	95	72.5	75	75	75	72.5	95	75	72.5	95
AC40A-06	—	—	77.5	77.5	80	—	—	—	—	—	—	—	—	—	77.5	102
AC50A	—	—	98	98	96	—	—	—	—	—	—	—	—	—	98	124
AC60A	—	—	98	—	—	—	—	—	—	—	—	—	—	—	—	—

Attachment Model	S		T		V		V1		SV		SV1		TV		TV1	
	A1	A2	A1	A2	A1	A2	A1	A2	A1	A2	A1	A2	A1	A2	A1	A2
AC10B	—	28	—	—	—	—	—	—	—	—	—	—	—	—	—	—
AC20B	41.5	41.5	41.5	43	41.5	43	41.5	57	41.5	43	41.5	61	41.5	43	—	—
AC25B	55	55	55	57	55	57	55	74	55	57	55	76	55	57	—	—
AC30B	55	55	55	57	55	57	55	74	55	57	55	76	55	57	—	—
AC40B	72.5	72.5	72.5	75	72.5	75	72.5	95	72.5	75	72.5	99	72.5	75	—	—
AC40B-06	77.5	77.5	77.5	80	77.5	80	77.5	102	77.5	80	77.5	104	77.5	80	—	—
AC50B	93	93	93	96	93	96	93	124	93	96	93	124	93	96	—	—
AC55B	98	98	—	—	—	—	—	—	—	—	—	—	—	—	—	—
AC60B	98	98	—	—	—	—	—	—	—	—	—	—	—	—	—	—

Attachment Model	S		T		V		V1		SV		SV1		TV			TV1		
	A1	A2	A1	A2	A1	A2	A1	A2	A1	A2	A1	A2	A3	A1	A2	A3	A1	A2
AC20C	41.5	43	41.5	43	41.5	43	43	41.5	43	41.5	43	43	43	41.5	43	61	41.5	43
AC25C	55	57	55	57	55	57	57	55	57	55	57	74	55	57	57	55	57	57
AC30C	55	57	55	57	55	57	57	55	57	55	57	74	55	57	57	55	57	57
AC40C	72.5	75	72.5	75	72.5	75	75	72.5	75	75	72.5	75	95	72.5	75	99	72.5	75
AC40C-06	77.5	80	77.5	80	77.5	80	80	77.5	80	80	77.5	80	102	77.5	80	80	77.5	80

Attachment Model	S		V		V1		SV		SV1	
	A1	A2	A1	A2	A1	A2	A1	A2	A1	A2
AC20D	41.5	41.5	43	41.5	43	41.5	57	41.5	43	43
AC30D	55	55	57	55	57	55	74	55	57	57
AC40D	72.5	72.5	75	72.5	75	72.5	95	72.5	75	75
AC40D-06	77.5	77.5	80	77.5	80	77.5	102	77.5	80	80

- A1: Dimensions from the end of the IN side to the center of the mounting hole for the first bracket.
- A2: Mounting hole pitch between the first and the second brackets.
- A3: Mounting hole pitch between the second and the third brackets.
- A4: Mounting hole pitch between the third and the fourth brackets.